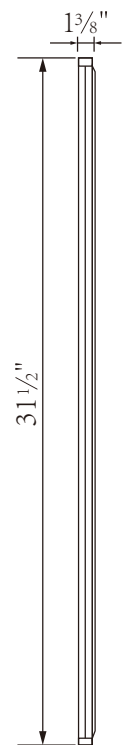
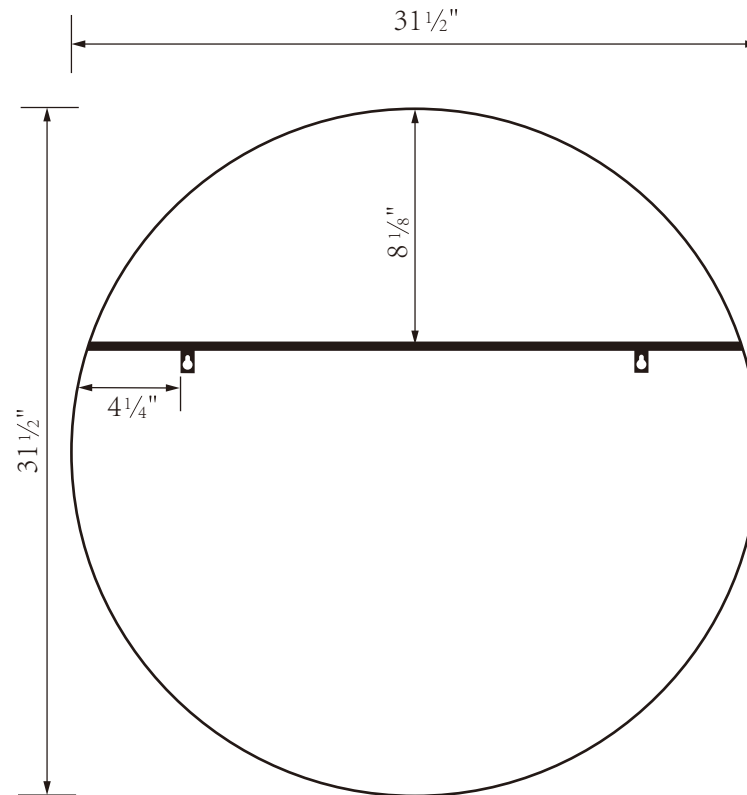


Front View



Side View



Back View

DWG. NO.

MODEL NO:
MR633232BK

SPEC NO:

QUANTITY:

DATE:

CHECKED BY:

FOR PROPOSAL ONLY ALL
DIMENSIONS TO BE VERIFIED

PROJECT:

COLOR:

FINISH:

REVISIONS

- ①
- ②
- ③
- ④
- ⑤
- ⑥


 **ELEGANT**
FURNITURE & LIGHTING™

500-550 E. Erie Avenue

Philadelphia PA 19134

1-888-388-3390

Model #	Product Type	Style	Product Width (in)	Product Depth (in)	Product Height (in)	Mirror Width	Mirror Depth
MR633232BK	Mirror	Contemporary	31.5	1.38	31.5	29.75	0.16
Mirror Height	Frame shape	Orientation	Frame finish	Frame material	Mounting / attachment type	Number of brackets	Beveled glass
29.75	Round	Vertical	Black	Metal	Metal Inset hanger	2	No
Frameless	Package LENGTH	Packaged WIDTH	Packaged HEIGHT	Package Weight	Product weight	Shipment Type	
No	36.22	36.22	3.15	10.82	9.18	Small Parcel	

DWG. NO.
MODEL NO: MR633232BK
SPEC NO:
QUANTITY:
DATE:
CHECKED BY:
FOR PROPOSAL ONLY ALL DIMENSIONS TO BE VERIFIED
PROJECT:
COLOR:
FINISH:
REVISIONS
①
②
③
④
⑤
⑥
 ELEGANT FURNITURE & LIGHTING™
500-550 E. Erie Avenue Philadelphia PA 19134 1-888-388-3390